

Tetcon

UltraSlider Covers for Intensive Care Units

Reduce physical strain for nurses and ICU workers



Reduce physical strain

Repositioning and turning patients on the bed can increase the risk of neck, shoulder and back injuries for nurses. In a collaboration with a hospital from Amsterdam, we embarked on a journey to create a solution to ease the workload for nurses and reduce the risk of injuries. UltraSlider is the answer.

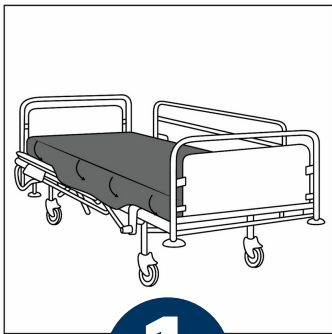
IT'S TIME TO MEET...

UltraSlider Covers



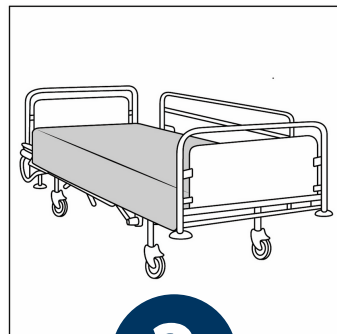
Turn in 4 directions

How does it work?



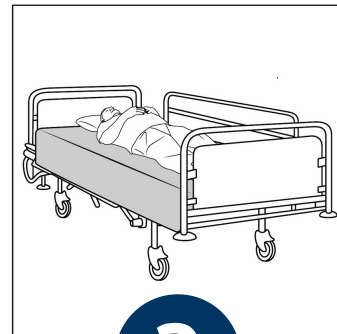
1

Place the UltraSlider around the ICU mattress, similar as you would do with a fitted sheet.



2

Make sure to place a cotton sheet on top of the UltraSlider. Underneath the cotton sheet, you can find the UltraSlider.



3

Make sure that the patient lays on top of a cotton sheet.



4

Use the cotton sheet to slide over the UltraSlider and turn the patient accordingly.



Custom sizes available

THE ULTRASLIDER IS INITIALLY DESIGNED BASED ON HILL-ROM'S PROGRESSA PULMONARY SURFACE MATTRESS.

Three Ultra Slider Covers are produced based on these dimensions:

Width: 90,17 cm

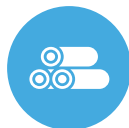
Length: 213,36 cm

Height: 20,32 cm

Are you using different mattresses with different sizes?

No problem. The UltraSlider Covers can be adjusted according to your desired size.

Technical Specification



Material

100% polyamide met silicone coating



Size*

95x220cm | 37.4" x 86.6"

*Size can be adjusted



Cleaning

Washing temperature max. 60 degrees (Celsius)*, dry on low temperature, no chemical cleaning, do not iron, no use of chlorine



Article Code

60952200BR



*To maximise the lifespan of the UltraSlider, it is advised to wash max. 40 degrees according to the Cool Chemistry Process in an industrial laundry.

*Do you want to
implement
UltraSlider in your
facility?*

We are here to help you!

YOU CAN FIND US HERE:

Ruysdaelbaan 3G, 5642 JJ Eindhoven, The Netherlands

SEND AN EMAIL TO:

info@tetcon-ge.com

GIVE US A CALL:

+31 40 298 99 55

You won't be the first one using the UltraSlider method.
These ICUs are already the transfer solution:



elkerliek



Simplify turning and repositioning in the ICU

Get yourself a free sample

Before you start implementing the UltraSlider Covers in your ICU – you might want to test the effectiveness first.

That's why you have free access to an UltraSlider sample if you are working as an ICU nurse.

Please send an email to request your free sample:
info@tetcon-ge.com

See you soon?



TETCON
TECHNICAL TEXTILE CONCEPTS